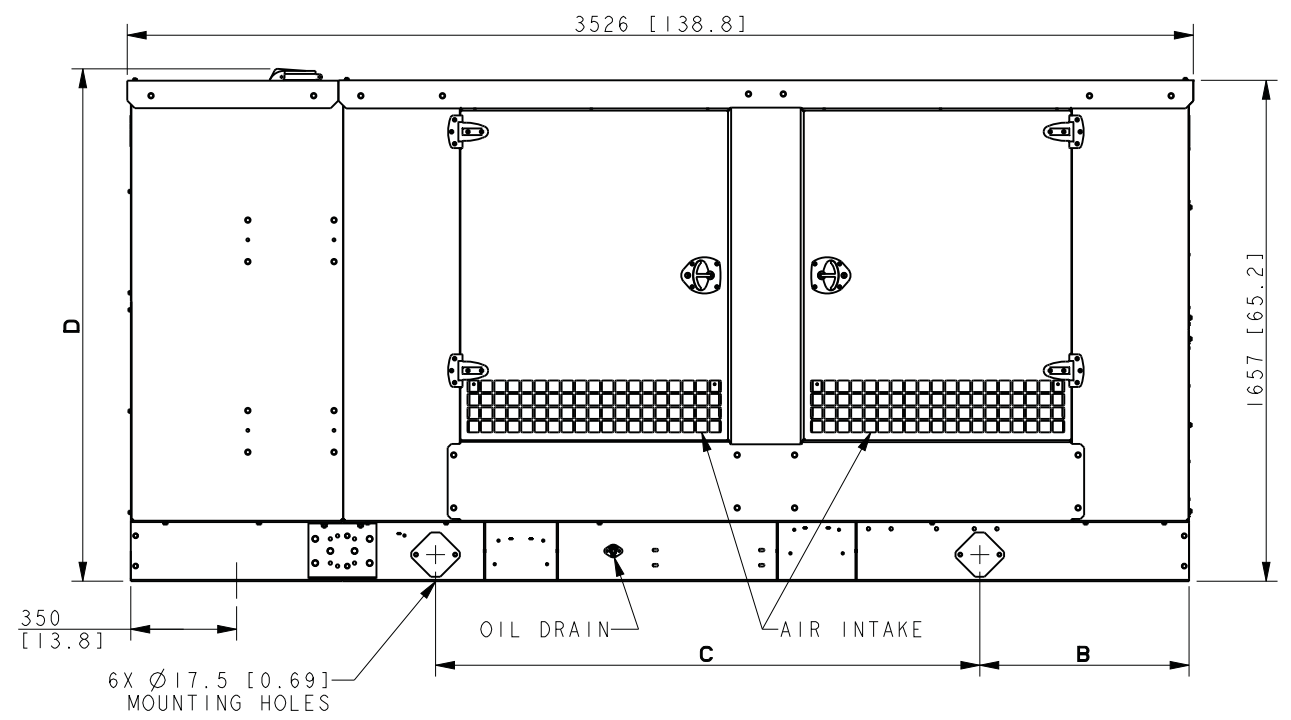
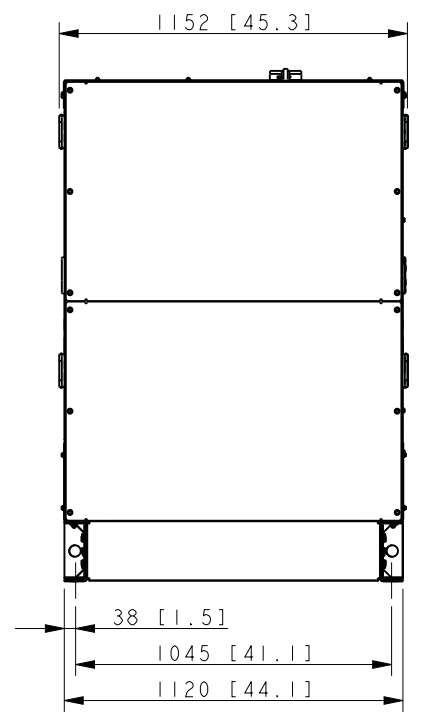
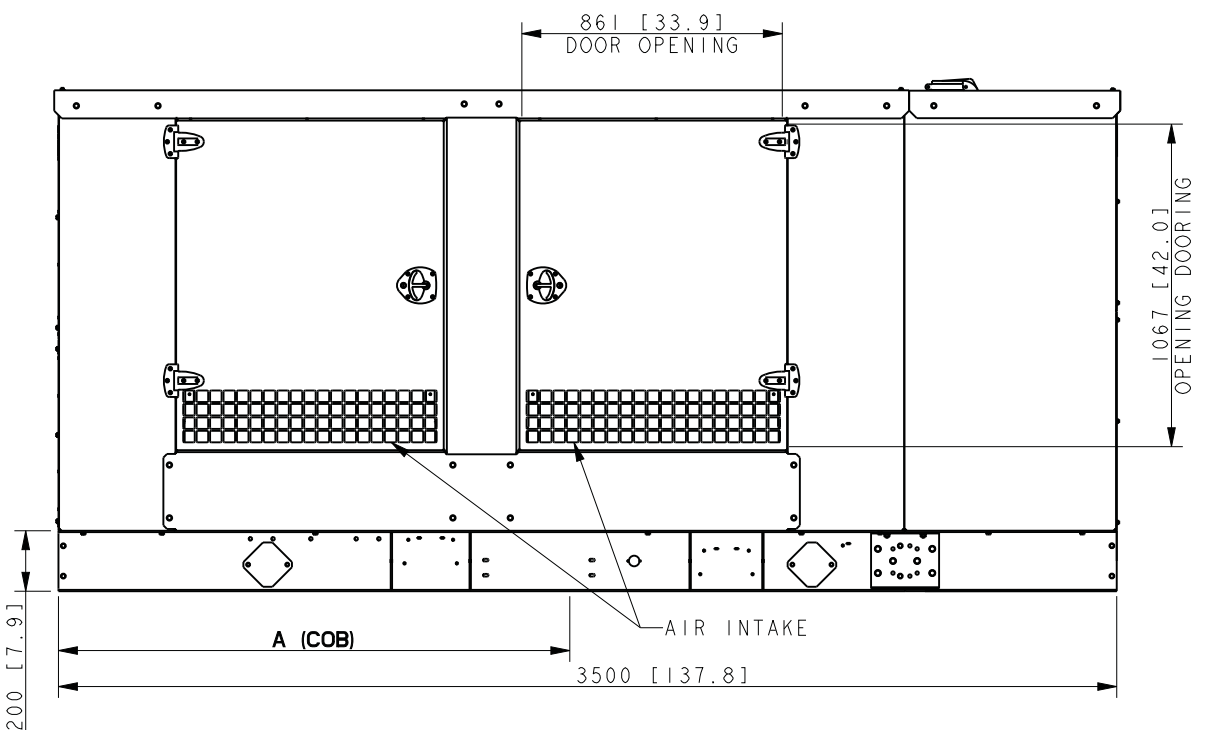
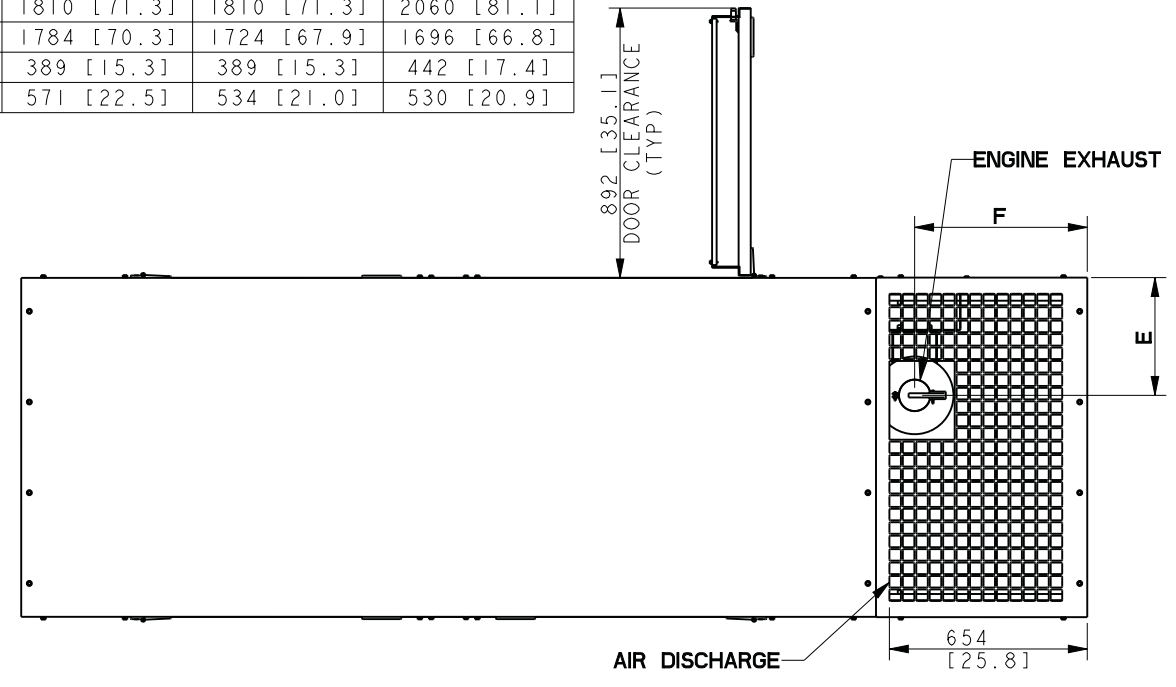


| DIM     | 100         | 125         | 150         |
|---------|-------------|-------------|-------------|
| A (COB) | 1671 [65.8] | 1661 [65.4] | 1661 [65.4] |
| B       | 308 [12.1]  | 682 [26.8]  | 307 [12]    |
| C       | 1810 [71.3] | 1810 [71.3] | 2060 [81.1] |
| D       | 1784 [70.3] | 1724 [67.9] | 1696 [66.8] |
| E       | 389 [15.3]  | 389 [15.3]  | 442 [17.4]  |
| F       | 571 [22.5]  | 534 [21.0]  | 530 [20.9]  |

| MODEL | ALTERNATOR  | GENSET WGT (WET) W/ ENCL |      |      | ENCLOSURE ONLY |     | MODEL | ALTERNATOR | GENSET WGT (WET) W/ ENCL |      |      | ENCLOSURE ONLY |     |
|-------|-------------|--------------------------|------|------|----------------|-----|-------|------------|--------------------------|------|------|----------------|-----|
|       |             | KG                       | LBS  | KG   | LBS            | KG  |       |            | LBS                      | KG   | LBS  | KG             | LBS |
| 100   | 4R9X/4T9X   | STEEL WEATHER            | 1523 | 3358 | 374            | 825 | 150   | 4R13X      | STEEL WEATHER            | 1743 | 3842 | 374            | 825 |
|       |             | STEEL SOUND              | 1527 | 3367 | 395            | 870 |       |            | STEEL SOUND              | 1766 | 3893 | 395            | 870 |
|       |             | ALUM SOUND               | 1375 | 3032 | 227            | 500 |       |            | ALUM SOUND               | 1593 | 3517 | 227            | 500 |
|       | 4R12X       | STEEL WEATHER            | 1591 | 3508 | 374            | 825 |       | 4S12X      | STEEL WEATHER            | 1864 | 4110 | 374            | 825 |
|       |             | STEEL SOUND              | 1610 | 3549 | 395            | 870 |       |            | STEEL SOUND              | 1885 | 4155 | 395            | 870 |
|       |             | ALUM SOUND               | 1444 | 3183 | 227            | 500 |       |            | ALUM SOUND               | 1717 | 3785 | 227            | 500 |
| 125   | 4R12X       | STEEL WEATHER            | 1703 | 3754 | 374            | 825 | 150   | 4S13X      | STEEL WEATHER            | 1877 | 4138 | 374            | 825 |
|       |             | STEEL SOUND              | 1722 | 3796 | 395            | 870 |       |            | STEEL SOUND              | 1897 | 4183 | 395            | 870 |
|       |             | ALUM SOUND               | 1556 | 3430 | 227            | 500 |       |            | ALUM SOUND               | 1730 | 3813 | 227            | 500 |
|       | 4R13X/4T13X | STEEL WEATHER            | 1739 | 3834 | 374            | 825 |       | 4T13X      | STEEL WEATHER            | 1778 | 3919 | 374            | 825 |
|       |             | STEEL SOUND              | 1758 | 3876 | 395            | 870 |       |            | STEEL SOUND              | 1798 | 3964 | 395            | 870 |
|       |             | ALUM SOUND               | 1592 | 3509 | 227            | 500 |       |            | ALUM SOUND               | 1630 | 3594 | 227            | 500 |



100 MODEL 4R9X/4T9X/4R12X  
 125 MODEL 4R12X/4R13X/4T13X  
 150 MODEL 4S12X/4R13X/4S13X/4T13X  
 RECONNECTABLE  
 IMPROVED MOTOR STARTING (IMS) RECONNECTABLE  
 & 600V ALTERNATORS  
 8.8L GM

DIMENSIONS IN [ ] ARE IN ENGLISH EQUIVALENTS.

| REV | DATE     | ON COMPOSITE DWGS. SEE PART NO. FOR REVISION LEVEL   | BY  | UNLESS OTHERWISE SPECIFIED -<br>1) DIMENSIONS ARE IN MILLIMETERS<br>2) TOLERANCES ARE: |
|-----|----------|--|-----|--|
| -   | 10-28-11 | NEW DRAWING [92230-2]  | KRH | X.XX ±   |
| A   | 3-15-16  | (D-7) FOR MODEL 150, DIM E 442[17.4] WAS 2060[81.1] [CT141193]   | PRM | X.X ±  |
| B   | 4-14-16  | DECALS & STRIPS ARE REMOVED; (D-7,8) MODEL 125: DIM B 682[26.8] WAS 308[12.1], MODEL 150: DIM B 307[12.0] WAS 433[17.0] [CT143165] | PRM | ANGLES ±   |
|     |          |  |     | SURFACE FINISH<br>MAX.   |
|     |          |  |     | THIRD ANGLE PROJECTION   |
|     |          |  |     | APPROVALS  |
|     |          |  |     | DATE   |
|     |          |  |     | DRAWN KRH 10-28-11   |
|     |          |  |     | CHECKED KRH 10-28-11   |
|     |          |  |     | APPROVED JAS 10-28-11  |

**KOHLER CO. METRIC PRO-E**  
 POWER SYSTEMS, KOHLER, WI 53044 U.S.A.  
 THIS DRAWING IN DESIGN AND DETAIL IS KOHLER CO. PROPERTY AND MUST NOT BE USED EXCEPT IN CONNECTION WITH KOHLER CO. WORK. ALL RIGHTS OF DESIGN OR INVENTION ARE RESERVED.

TITLE  
**DIMENSION PRINT, 100-150KW GM ENCLOSURES**

SCALE 0.08 CAD NO. SHEET 1 of 1  
 DWG NO. **ADV-8459** D