

\* - DENOTES 34" SKID WIDTH  
DIMENSIONS IN [ ] ARE ENGLISH STANDARD EQUIVALENTS

| MODEL | ALTERNATOR  | WEIGHT (WET) |      |
|-------|-------------|--------------|------|
|       |             | KG           | LBS  |
| 125   | 4R12X       | 1329         | 2930 |
| 125   | 4R13X/4T13X | 1365         | 3009 |

125 MODEL, 4R12X/4R13X/4T13X RECONNECTABLE. IMPROVED MOTOR STARTING (IMS) RECONNECTABLE & 600V ALTERNATORS 8.8 LITER GM

| REV | DATE    | ON COMPOSITE DWGS. SEE PART NO. FOR REVISION LEVEL | BY  |
|-----|---------|--|-----|
| -   | 5-10-11 | NEW DRAWING [92053]                                | KRH |

UNLESS OTHERWISE SPECIFIED:  
1) DIMENSIONS ARE IN MILLIMETERS  
2) TOLERANCES ARE:  
X.XX ±  
X.X ±  
X ±  
ANGLES ±

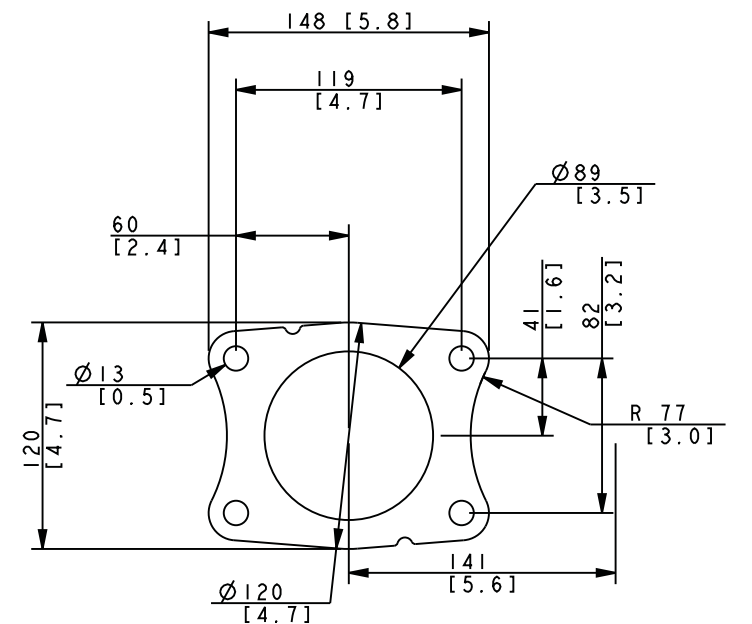
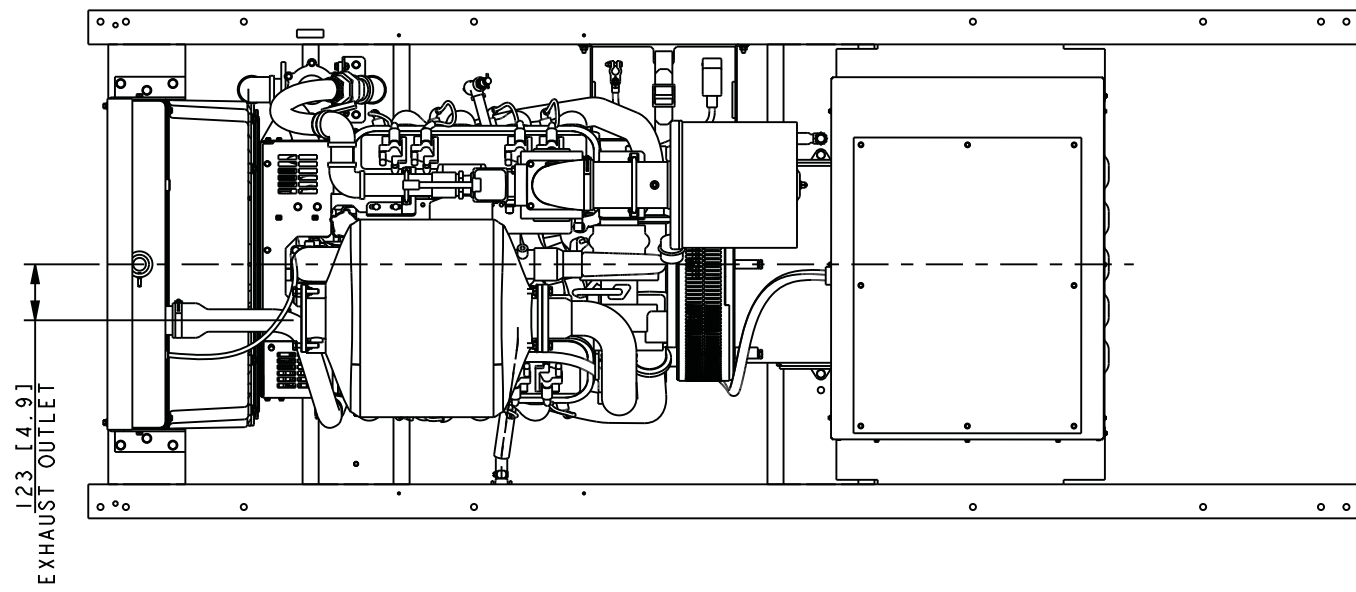
THIRD ANGLE PROJECTION

| APPROVALS    | DATE    |
|--------------|---------|
| DRAWN KRH    | 5-10-11 |
| CHECKED KRH  | 5-10-11 |
| APPROVED JAL | 5-10-11 |

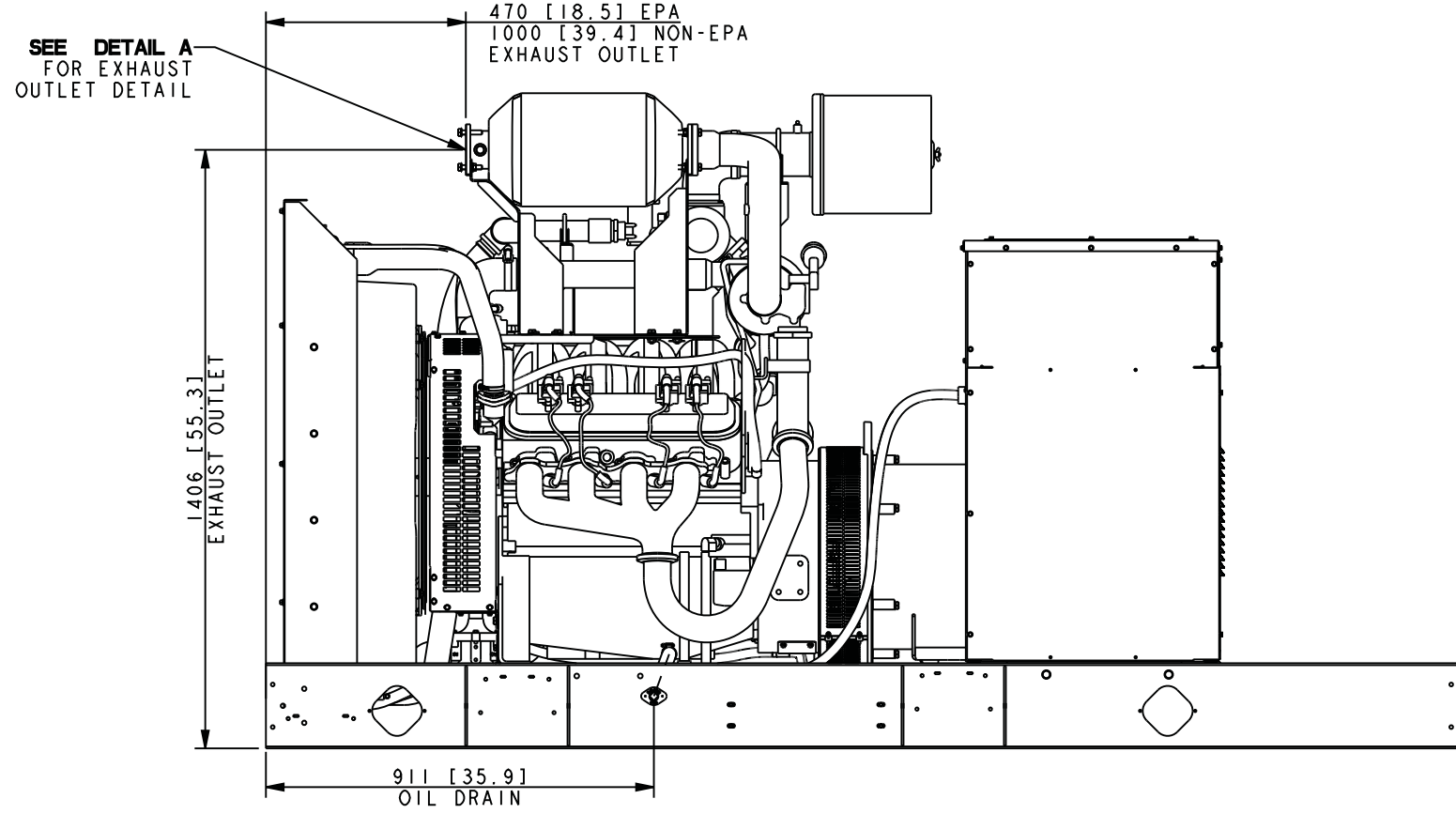
**KOHLER CO. METRIC PRO-E**  
POWER SYSTEMS, KOHLER, WI 53044 U.S.A.  
THIS DRAWING IN DESIGN AND DETAIL IS KOHLER CO. PROPERTY AND MUST NOT BE USED EXCEPT IN CONNECTION WITH KOHLER CO. WORK. ALL RIGHTS OF DESIGN OR INVENTION ARE RESERVED.

TITLE: **DIMENSION PRINT 125 GM 8.8L**

SCALE 0.12 CAD NO. SHEET 1 of 2  
DWG NO. **ADV-8204**



EXHAUST OUTLET  
**DETAIL A**  
 SCALE 0.50



DIMENSIONS IN [ ] ARE ENGLISH STANDARD EQUIVALENTS

125 MODEL, 4R12X/4R13X/4T13X  
 RECONNECTABLE,  
 IMPROVED MOTOR STARTING (IMS) RECONNECTABLE  
 & 600V ALTERNATORS  
 8.8 LITER GM

| REV | DATE    | ON COMPOSITE DWGS. SEE PART NO. FOR REVISION LEVEL | BY  | UNLESS OTHERWISE SPECIFIED:<br>1) DIMENSIONS ARE IN MILLIMETERS<br>2) TOLERANCES ARE: | APPROVALS | DATE | TITLE  |
|-----|---------|--|-----|---|-----------|------|--|
| -   | 8-29-11 | NEW DRAWING [92053]                                | KRH | X.XX ±<br>X.X ±<br>X ±<br>ANGLES ±  |           |      | <b>KOHLER CO. METRIC PRO-E</b><br>POWER SYSTEMS, KOHLER, WI 53044 U.S.A.<br>THIS DRAWING IN DESIGN AND DETAIL IS KOHLER CO. PROPERTY AND MUST NOT BE USED EXCEPT IN CONNECTION WITH KOHLER CO. WORK. ALL RIGHTS OF DESIGN OR INVENTION ARE RESERVED. |
|     |         |  |     | SURFACE FINISH<br>MAX.  |           |      | <b>DIMENSION PRINT 125 GM 8.8L</b>   |
|     |         |  |     | THIRD ANGLE PROJECTION  |           |      | SCALE 0.12 CAD NO. SHEET 2 of 2  |
|     |         |  |     |   |           |      | DWG NO. <b>ADV-8204</b>  |
|     |         |  |     |   |           |      | <b>D</b>   |