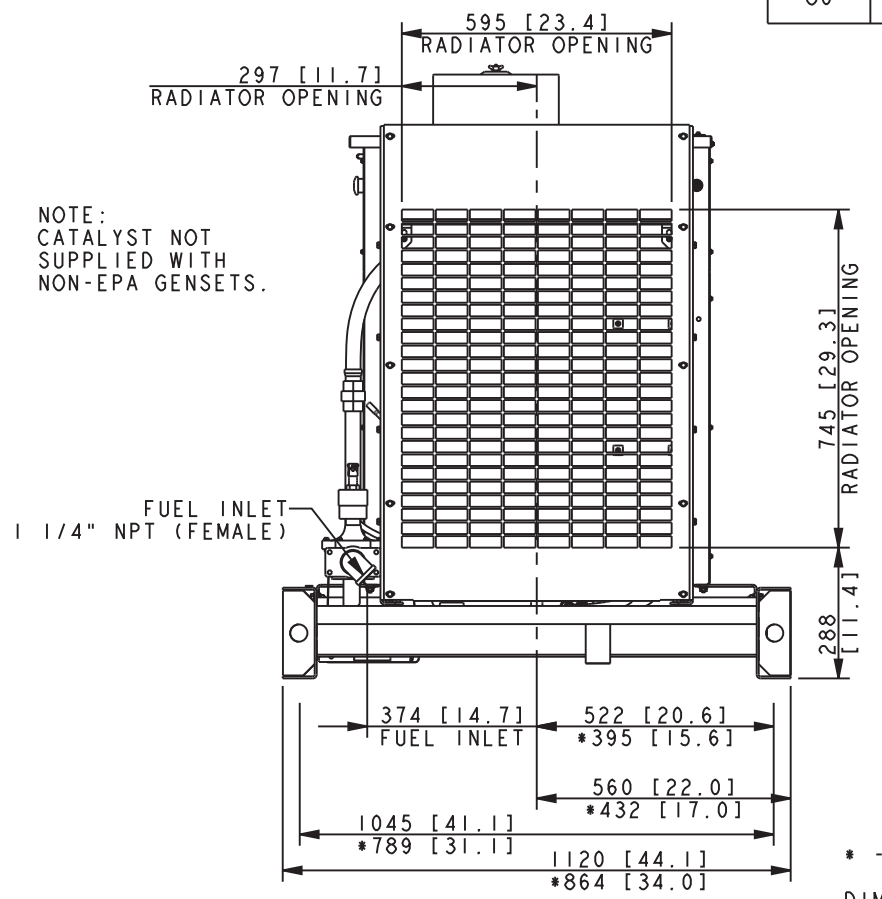
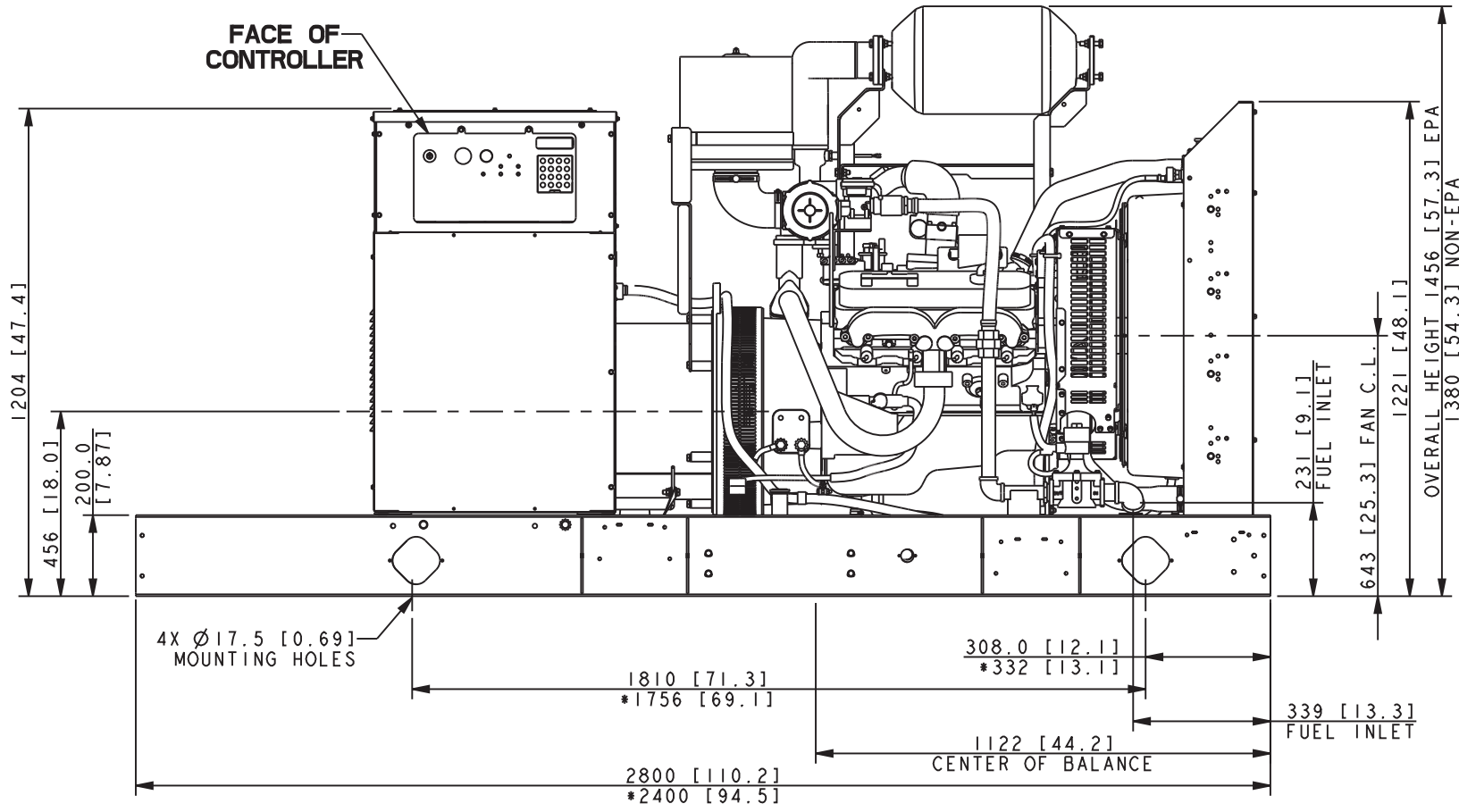


MODEL	ALTERNATOR	WEIGHT WET	
		KG	LBS
80	4R9X/4T9X	1300	2865



* - DENOTES 34" SKID WIDTH
DIMENSIONS IN [] ARE ENGLISH STANDARD EQUIVALENTS

80 MODEL
4R9X/4T9X
RECONNECTABLE
IMPROVED MOTOR STARTING (IMS) RECONNECTABLE
& 600V ALTERNATORS
5.7L GM TURBO/CAC

REV	DATE	ON COMPOSITE DWGS. SEE PART NO. FOR REVISION LEVEL	BY
-	3-24-11	NEW DRAWING [90651-6]	CWF

UNLESS OTHERWISE SPECIFIED:
1) DIMENSIONS ARE IN MILLIMETERS
2) TOLERANCES ARE:
X.XX ±
X.X ±
X ±
ANGLES ±

SURFACE FINISH
MAX.

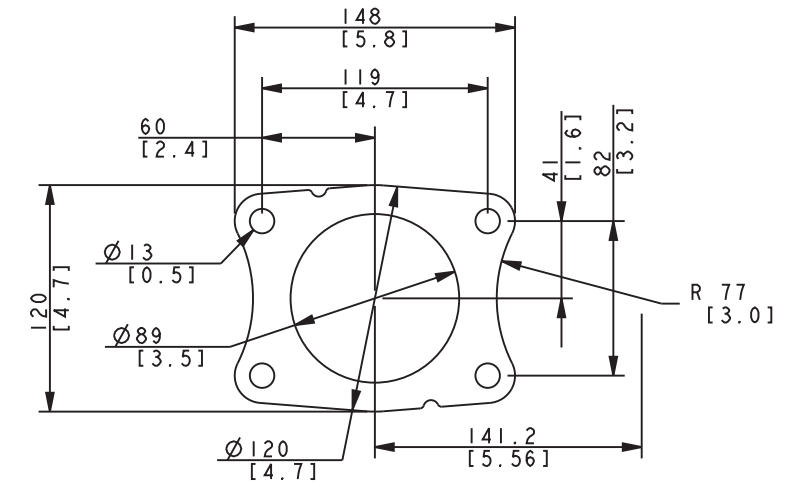
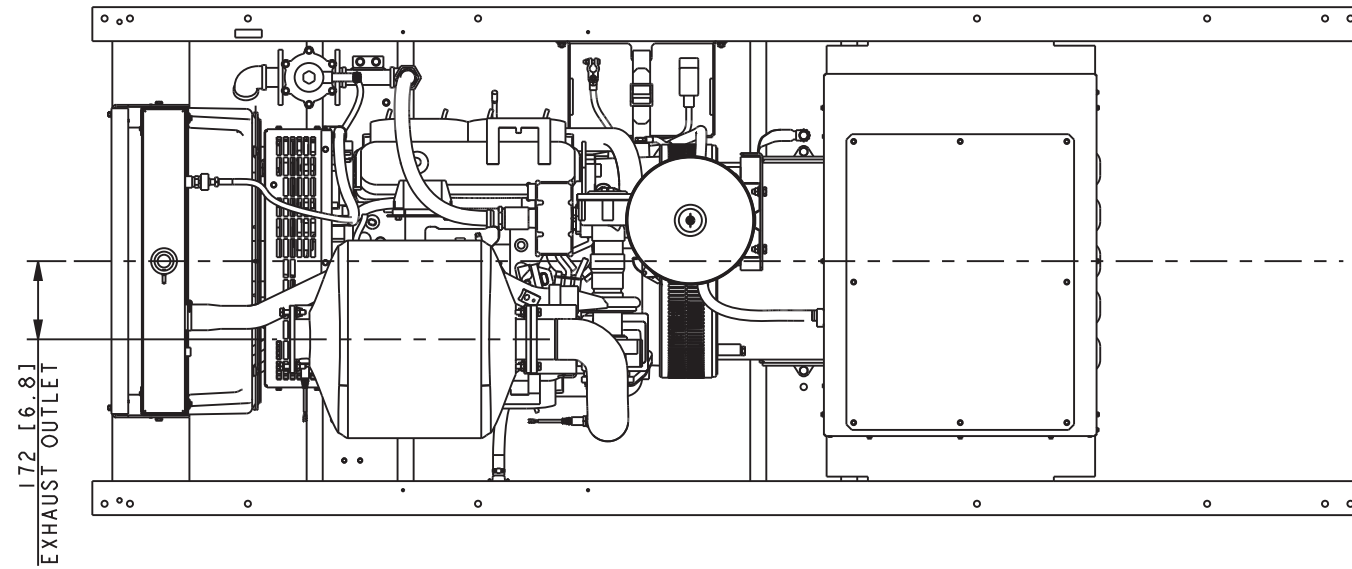
THIRD ANGLE PROJECTION

APPROVALS	DATE
DRAWN CWF	3-24-11
CHECKED CWF	3-24-11
APPROVED GDF	3-24-11

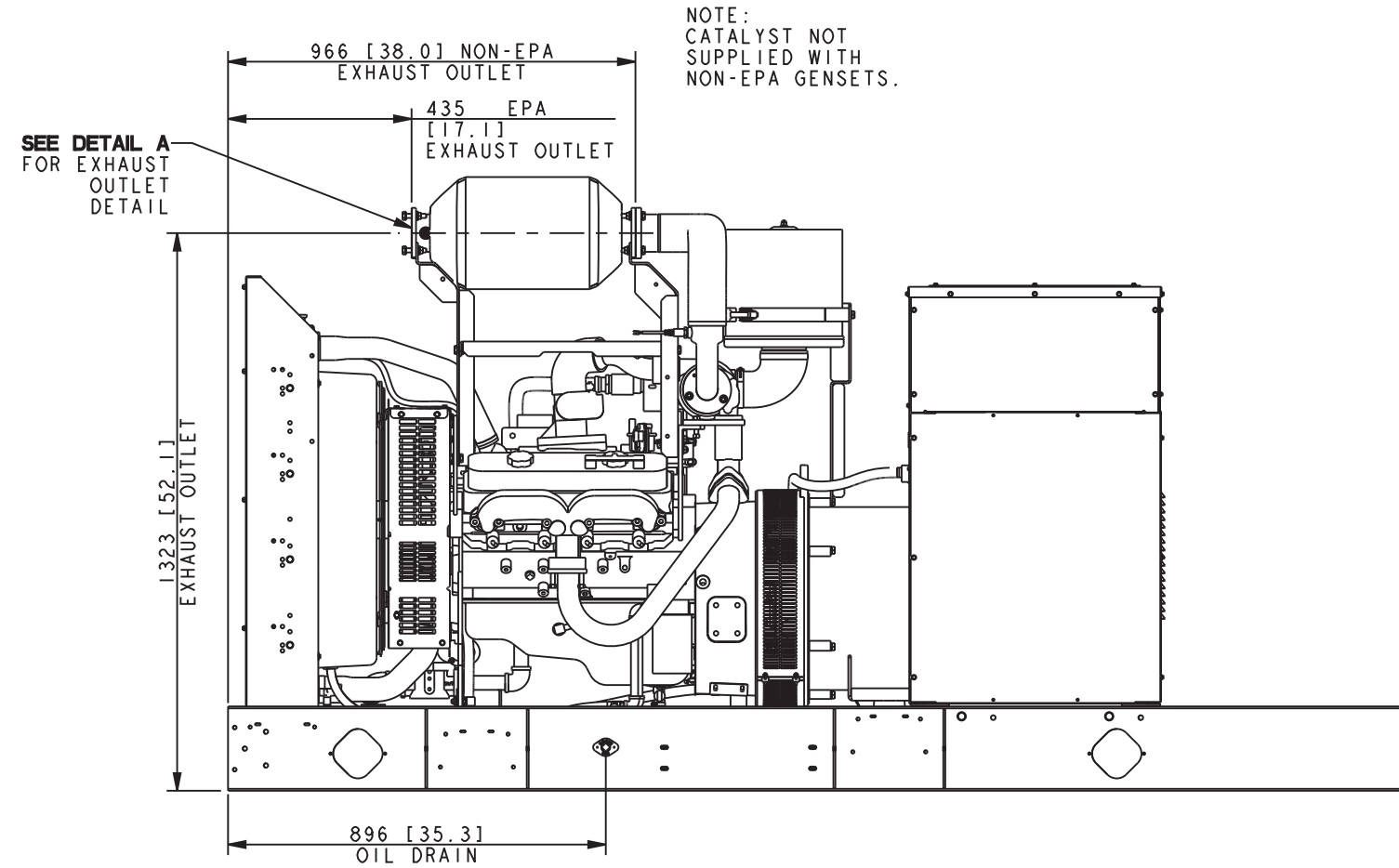
KOHLER CO. METRIC PRO-E
POWER SYSTEMS, KOHLER, WI 53044 U.S.A.
THIS DRAWING IN DESIGN AND DETAIL IS KOHLER CO. PROPERTY AND MUST NOT BE USED EXCEPT IN CONNECTION WITH KOHLER CO. WORK. ALL RIGHTS OF DESIGN OR INVENTION ARE RESERVED.

TITLE
DIMENSION PRINT, 80KW GM 5.7L TURBO,4RX

SCALE 0.12 CAD NO. SHEET 1 of 2
DWG NO. **ADV-8165**



**EXHAUST OUTLET
DETAIL A**
SCALE 0.50



DIMENSIONS IN [] ARE ENGLISH STANDARD EQUIVALENTS

80 MODEL
4R9X/4T9X
RECONNECTABLE
IMPROVED MOTOR STARTING (IMS) RECONNECTABLE
& 600V ALTERNATORS
5.7L GM TURBO/CAC

REV	DATE	ON COMPOSITE DWGS. SEE PART NO. FOR REVISION LEVEL	BY	UNLESS OTHERWISE SPECIFIED - 1) DIMENSIONS ARE IN MILLIMETERS 2) TOLERANCES ARE:	COHLEK CO. METRIC PRO-E
-	3-24-11	NEW DRAWING [90651-6]	CWF	X.XX ± X.X ± X ± ANGLES ±	POWER SYSTEMS, KOHLER, WI 53044 U.S.A. THIS DRAWING IN DESIGN AND DETAIL IS KOHLER CO. PROPERTY AND MUST NOT BE USED EXCEPT IN CONNECTION WITH KOHLER CO. WORK. ALL RIGHTS OF DESIGN OR INVENTION ARE RESERVED.
				SURFACE FINISH MAX.	TITLE DIMENSION PRINT, 80KW GM 5.7L TURBO,4RX
				THIRD ANGLE PROJECTION	SCALE 0.12 CAD NO. SHEET 2 of 2
				APPROVALS DATE	ADV-8165
				DRAWN CWF 3-24-11	
				CHECKED CWF 3-24-11	
				APPROVED GDF 3-24-11	