

NOTE: DIMENSIONS IN [] ARE INCH EQUIVALENTS.

REV	DATE	ON COMPOSITE DWGS. SEE PART NO. FOR REVISION LEVEL	BY	UNLESS OTHERWISE SPECIFIED - 1) DIMENSIONS ARE IN MILLIMETERS 2) TOLERANCES ARE:
E	7-16-13	(C-2) HIGH VOLTAGE WAS LOW, (B-2) LOW VOLTAGE WAS HIGH. [CT52169]	BGW	X.XX ± X.X ± X ANGLES ±
F	1-2-14	(C-2) E-STOP NOTE ADDED, SEE SHEET 3 & 4 [CT65195]	KJB	SURFACE FINISH MAX.
G	8-13-14	(A-4) 75 WAS 124.0, 156 WAS 210.5, 207 WAS 501.8, (B-2) 168 DIM DELETED, 62 WAS 66, 80 DIM DELETED, 80 WAS 76, SEE SHEET 4 OF 4 [CT90039]	DRA	THIRD ANGLE PROJECTION
H	10-15-14	SEE SHEETS 4 AND 5 OF 5. [CT96198]	GFR	APPROVALS DATE DRAWN DDH 10-24-11 CHECKED DDH 10-24-11 APPROVED JJN 10-24-11

KOHLER CO. METRIC PRO-E
 POWER SYSTEMS, KOHLER, WI 53044 U.S.A.
 THIS DRAWING IN DESIGN AND DETAIL IS KOHLER CO. PROPERTY AND MUST NOT BE USED EXCEPT IN CONNECTION WITH KOHLER CO. WORK. ALL RIGHTS OF DESIGN OR INVENTION ARE RESERVED.

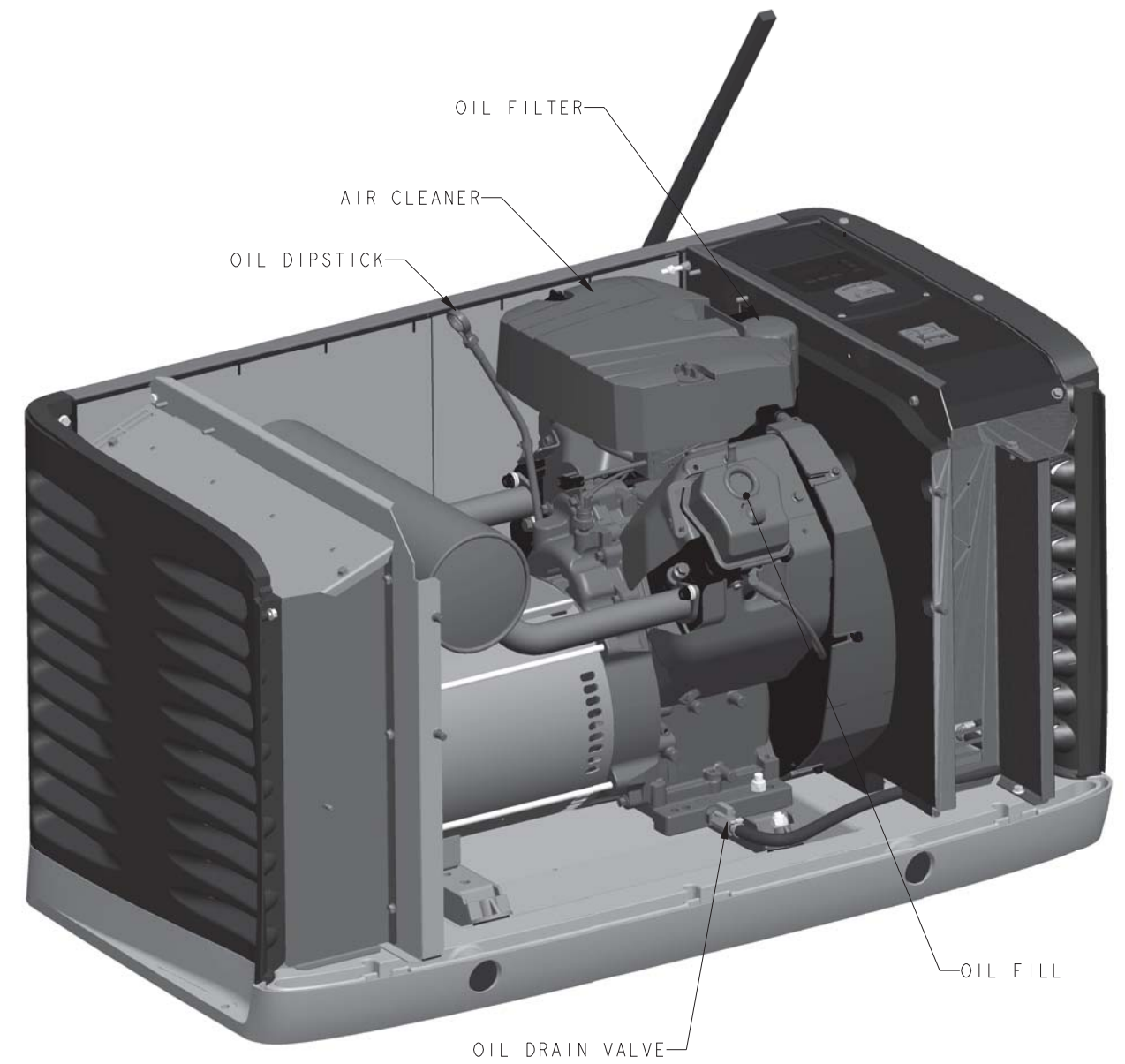
TITLE: **DIMENSION PRINT**

SCALE 0.16 CAD NO. SHEET 1 of 5
 DWG NO. **ADV-8424** D

14/20RESA



EXHAUST
AIR OUTLET



OIL FILTER

AIR CLEANER

OIL DIPSTICK

OIL FILL

OIL DRAIN VALVE

REV	DATE	ON COMPOSITE DWGS. SEE PART NO. FOR REVISION LEVEL	BY
-	10-24-11	NEW DRAWING [92089-1]	DDH
A	3-1-12	SEE SHEET 1 [CT05555]	VPP
B	5-30-12	SEE SHEET 3 OF 4. [CT14992]	GFR
C	3-1-13	SEE SHEET 4 [CT39030]	SVP
D	4-16-13	SEE SHEET 4 [CT43845]	SVP
E	7-16-13	SEE SHEET 1 [CT52169]	BGW
F	1-2-14	SEE SHEET 1, 3 & 4 [CT65195]	KJB
G	8-13-14	SEE SHEETS 1 AND 4 OF 4 [CT90039]	DRA
H	10-15-14	SEE SHEETS 4 AND 5 OF 5. [CT96198]	GFR

UNLESS OTHERWISE SPECIFIED -
1) DIMENSIONS ARE IN MILLIMETERS
2) TOLERANCES ARE:
X.XX ±
X.X ±
X ±
ANGLES ±

SURFACE FINISH
MAX.

THIRD ANGLE
PROJECTION

KOHLER CO. METRIC PRO-E
POWER SYSTEMS, KOHLER, WI 53044 U.S.A.
THIS DRAWING IN DESIGN AND DETAIL IS KOHLER CO.
PROPERTY AND MUST NOT BE USED EXCEPT IN
CONNECTION WITH KOHLER CO. WORK. ALL RIGHTS OF
DESIGN OR INVENTION ARE RESERVED.

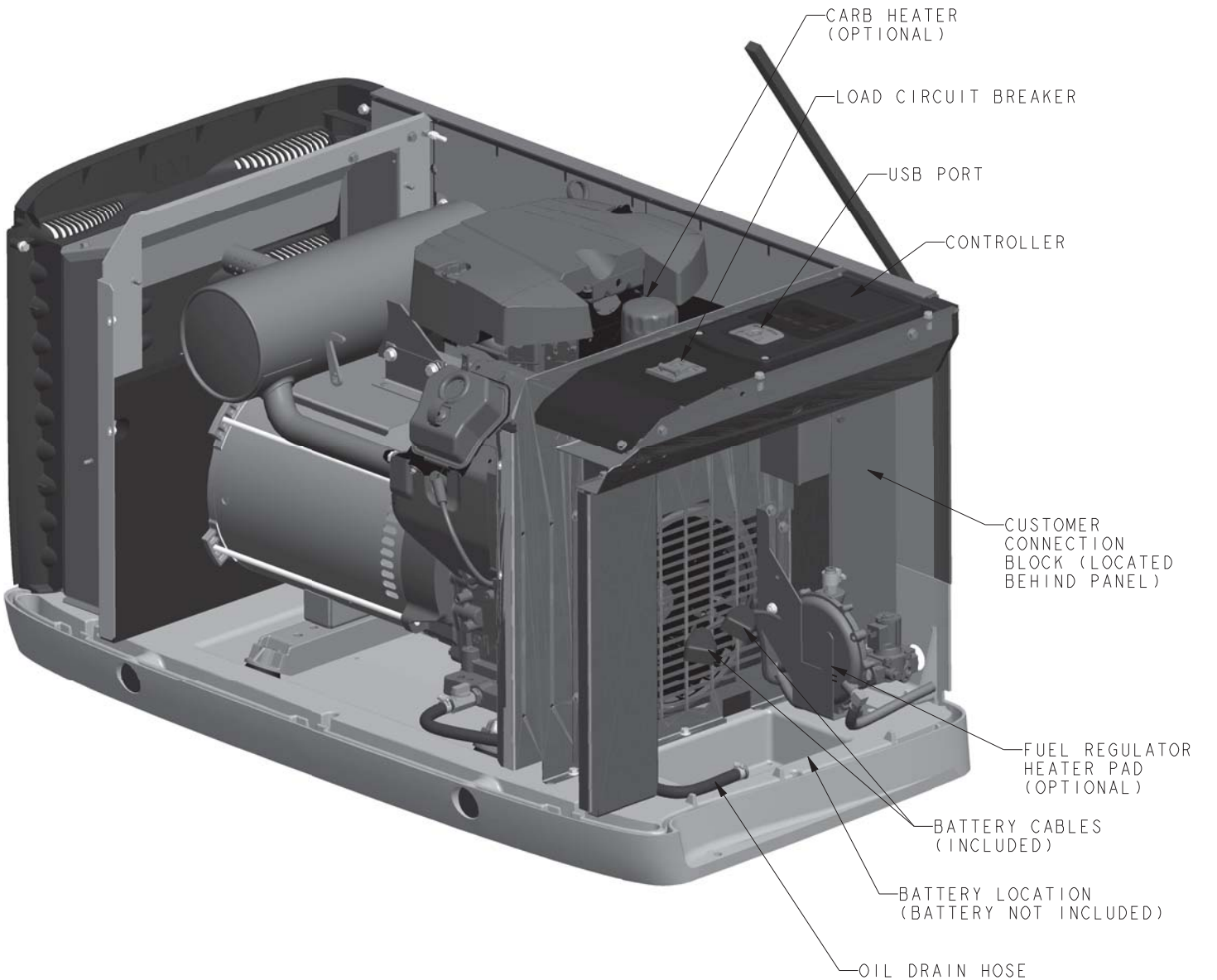
TITLE
DIMENSION PRINT

SCALE 0.25 CAD NO. SHEET 2 of 5
DWG NO. **ADV-8424** D

14/20RESA



AIR INLET



CARB HEATER (OPTIONAL)

LOAD CIRCUIT BREAKER

USB PORT

CONTROLLER

CUSTOMER CONNECTION BLOCK (LOCATED BEHIND PANEL)

FUEL REGULATOR HEATER PAD (OPTIONAL)

BATTERY CABLES (INCLUDED)

BATTERY LOCATION (BATTERY NOT INCLUDED)

OIL DRAIN HOSE

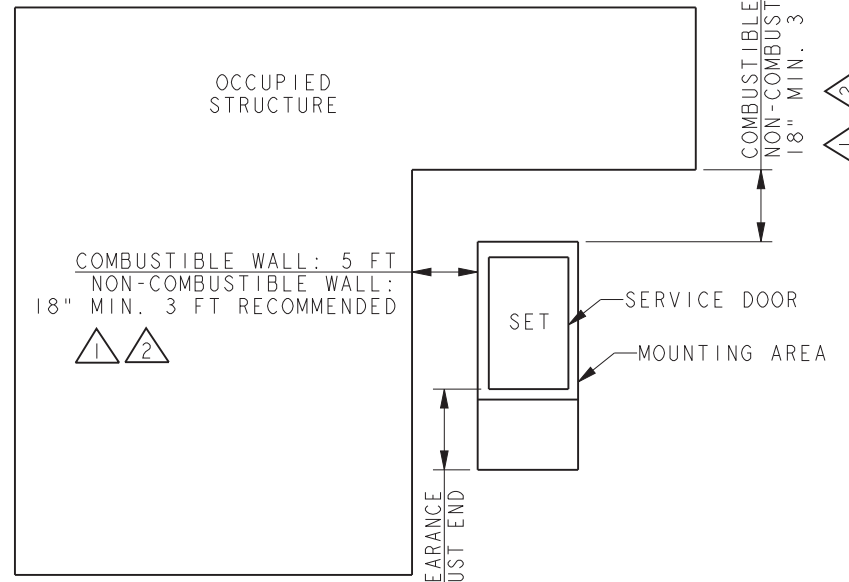
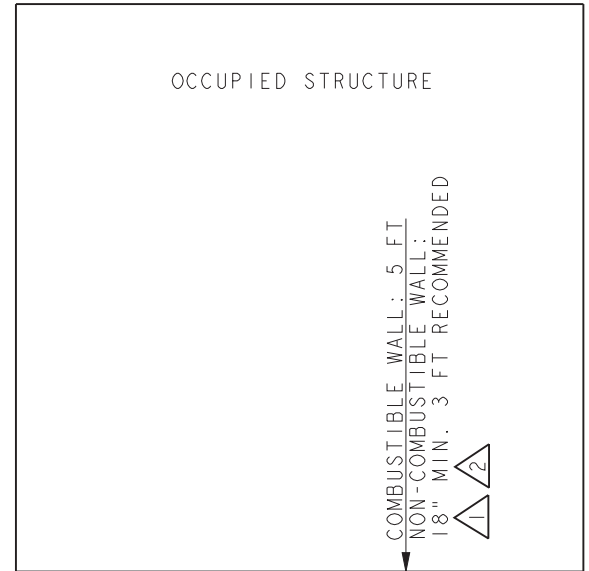
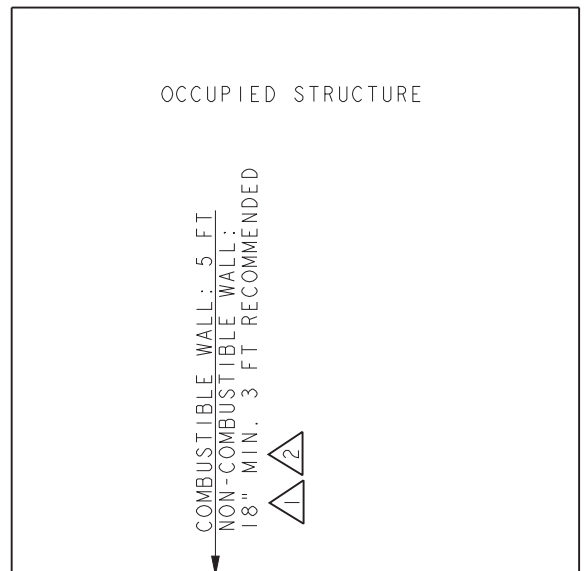
14/20RESA

REV	DATE	ON COMPOSITE DWGS. SEE PART NO. FOR REVISION LEVEL	BY	UNLESS OTHERWISE SPECIFIED - 1) DIMENSIONS ARE IN MILLIMETERS 2) TOLERANCES ARE:
-	10-24-11	NEW DRAWING [92089-1]	DDH	X.XX ±
A	3-1-12	SEE SHEET 1 [CT05555]	VPP	X.X ±
B	5-30-12	(C-2) USB PORT WAS FUSES & USB PORT. [CT14992]	GFR	ANGLES ±
C	3-1-13	SEE SHEET 4 [CT39030]	SVP	
D	4-16-13	SEE SHEET 4 [CT43845]	SVP	
E	7-16-13	SEE SHEET 1 [CT52169]	BGW	
F	1-2-14	SEE SHEET 1, 3 & 4 [CT65195]	KJB	
G	8-13-14	SEE SHEETS 1 AND 4 OF 4 [CT90039]	DRA	
H	10-15-14	SEE SHEETS 4 AND 5 OF 5. [CT96198]	GFR	

KOHLER CO. METRIC PRO-E
 POWER SYSTEMS, KOHLER, WI 53044 U.S.A.
 THIS DRAWING IN DESIGN AND DETAIL IS KOHLER CO. PROPERTY AND MUST NOT BE USED EXCEPT IN CONNECTION WITH KOHLER CO. WORK. ALL RIGHTS OF DESIGN OR INVENTION ARE RESERVED.

TITLE: **DIMENSION PRINT**

SCALE: 0.25 CAD NO. SHEET 3 of 5
 DWG NO. **ADV-8424** D



NOTE:

1) THE RECOMMENDED DISTANCE FROM A STRUCTURE IS DEPENDENT ON STATE AND LOCAL CODES. NFPA 37, STANDARDS FOR THE INSTALLATION AND USE OF STATIONARY COMBUSTION ENGINES AND GAS TURBINES, STATES THIS DISTANCE SHOULD BE AT LEAST 5 FEET FROM A COMBUSTIBLE MATERIAL.

2) FOR INSTALLATIONS NEAR NON-COMBUSTIBLE STRUCTURE, A MINIMUM DISTANCE OF 18" IS REQUIRED TO ENSURE PROPER GENERATOR COOLING.

ACCEPTABLE

- 1) EXHAUST IS AIMED AWAY OR PARALLEL TO STRUCTURE.
- 2) EXHAUST IS NOT DIRECTED AT PLAY AREAS, PATIOS OR OTHER AREAS WHERE PEOPLE CONGREGATE.
- 3) THE NEAREST WINDOW, VENT, DOOR OR SIMILAR STRUCTURE OPENING IS AT LEAST 5 FEET FROM THE EXHAUST END OF THE SET.
- 4) SET HAS PROPER OFFSET FROM STRUCTURE.
- 5) WINDOWS & DOORS ON ADJACENT WALLS ARE CLOSED.
- 6) FURNACE AND OTHER SIMILAR INTAKES ARE AT LEAST 10 FEET FROM EXHAUST END OF SET.
- 7) WEED BARRIER AND 3 INCH THICK GRAVEL BASE OR CONCRETE PAD LOCATED TO PREVENT GRASS & WEEDS FROM GROWING TOO CLOSE TO THE SET.
- 8) NO PLANTS, SHRUBS OR OTHER COMBUSTIBLES ALLOWED IN CLEARANCE AREA. (MINIMUM 4 FT. FROM EXHAUST END).
- 9) REFER TO OWNERS MANUAL FOR OTHER INSTALLATION CONSTRAINTS.
- 10) NO PLANTS, SHRUBS, OR OTHER COMBUSTIBLES ALLOWED WITHIN 18" OF AIR INTAKE.

**14/20RESA
SINGLE UNIT
CONFIGURATION**

REV	DATE	ON COMPOSITE DWGS. SEE PART NO. FOR REVISION LEVEL	BY	UNLESS OTHERWISE SPECIFIED - 1) DIMENSIONS ARE IN MILLIMETERS 2) TOLERANCES ARE:	KOHLER CO. METRIC PRO-E POWER SYSTEMS, KOHLER, WI 53044 U.S.A. THIS DRAWING IN DESIGN AND DETAIL IS KOHLER CO. PROPERTY AND MUST NOT BE USED EXCEPT IN CONNECTION WITH KOHLER CO. WORK. ALL RIGHTS OF DESIGN OR INVENTION ARE RESERVED.
E	7-16-13	SEE SHEET 1 [CT52169]	BGW	X.XX ± X.X ± ANGLES ±	
F	1-2-14	(B-8, C-4, C-1) NOTES UPDATED, DIM 8 FT REMOVED; (C-6) VIEW REMOVED; (B-4) NOTE UPDATED; (B-2) NUMBER 9 REMOVED AND NOTES RENUMBERED. [CT65195]	KJB	THIRD ANGLE PROJECTION	TITLE
G	8-13-14	(B-5) TRIANGLE NOTE 1 CHANGED, SEE SHEET 1 OF 4 [CT90039]	DRA	APPROVALS	DATE
H	10-15-14	DRAWING VIEWS AND NOTES REARRANGED FOR CLAIRITY. SEE SHEET 5 OF 5. [CT96198]	GFR	CHECKED	DDH 10-24-11
				APPROVED	JJN 10-24-11
				SCALE 0.40	CAD NO.
				SHEET 4 of 5	
				DWG NO. ADV-8424	
				D	

